

ULTRACURE® 6 DATA SHEET

EST. 1978

ISO-9001

The **Ultracure® 6** is a high output UV LED curing lamp designed to quickly and completely cure UV adhesives and sealants. This curing light has built-in power regulation, over temperature protection and is air cooled to ensure consistent long term operation while outputting a maximum intensity UV light. The **Ultracure® 6** can be installed alone or in a series to produce a UV light bath for UV curing applications.

Product Part #: 107-022

Features:

- UV LED curing lamp
- Built-in power regulation and overheat protection
- Green / red system status indicator
- Air cooled

Specifications:

- Dimensions: 5" x 2" x 1.5"
- 2.5/w cm² maximum output @365nm
- 24 vdc @ 700mA

Mounting:

- The Ultracure 6 has two mounting options:
 - 4 x M3 x 0.5 on electrical connector end
 - 4 x M2 x 0.4 on the bottom of the device

Warranty:

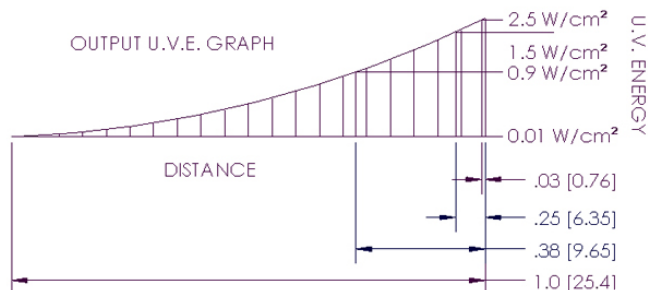
- Standard 1 year from purchase date



UV Curve / UV Output Curve:

The Ultracure® 6 has an optimal distance for curing properties. The diagram below shows UV intensity vs. distance curve:

ULTRA VIOLET ENERGY (U.V.E.) GRAPH



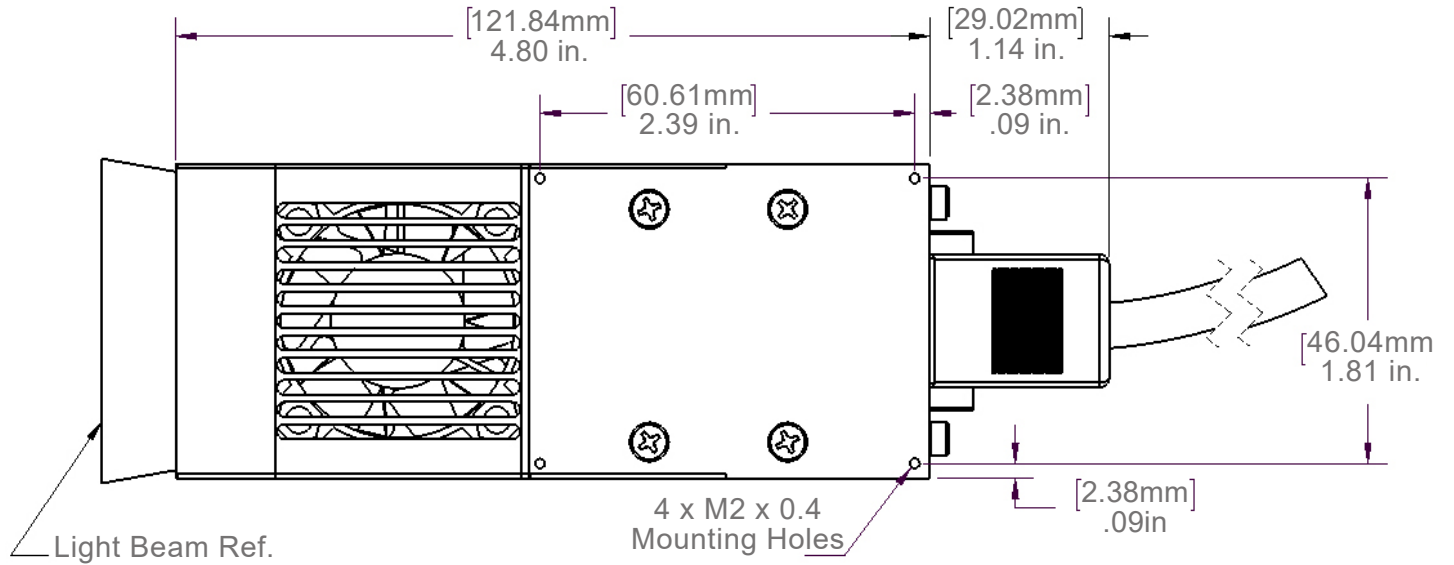
REF. ONLY - U.V. ENERGY

DISTANCE	ENERGY W/cm ²
.03in [.76mm]	2.5
.25in [6.35mm]	1.5
.38in [9.65mm]	0.9
1.0in [25.4mm]	0.01

ALL DIMENSIONS ARE IN inch [millimeter]

ENERGY IS INVERSELY PROPORTIONAL TO DISTANCE

Bottom Mounting Diagram:



Back Mounting Diagram:

