

AUTOVATOR DATA SHEET

EST. 1978

ISO-9001

Hernon® Autovators are a series of vertical elevators designed to bulk feed ammunition into a collator or hopper. Using heavy duty welded buckets to transport parts, the elevator eliminates rigorous manual lifting and can safely move rounds from the built-in vibrating hopper up to its destination while preventing damage to parts in the process. **Autovators** are available in three different height options (5', 8' and 10') and can supply a maximum of 240+ PPM (caliber dependent) at 10 buckets per minute.

Part Numbers:

- **Autovator 05:** 110020234
- **Autovator 08:** 110020238
- **Autovator 10:** 110020239

Features:

- Gently conveys parts to avoid possible damage
- Torque limiting motor detects power fluctuations for automatic jam shutdown
- Broad range of power options
- Low power consumption
- User friendly color touchscreen HMI
- Configurable bucket levels
- Downstream bulk level sensor
- 3ft³ hopper (with included 1.5ft³ extension)
- Sound dampening exit chute

Specifications:

Max input air pressure	100psi
Operating pressure	60 psi
Power requirement	100-240V, 500VA
PPM or output range	240ppm (caliber dependent)
Weight:	TBD
Range of parts	Projectiles, cartridges and live rounds from 9mm to 338 Lapua

Replacement parts:

- **Drive motor:** 102020701
- **Motor brake:** 102021168
- **Gate actuator:** 101020334
- **Gate actuator sensor:** 102021212
- **Hopper vibrator:** 101020337
- **Bucket:** 105020970
- **Bucket position sensor:** 102021206

Warranty:

- Standard 1 year from purchase date

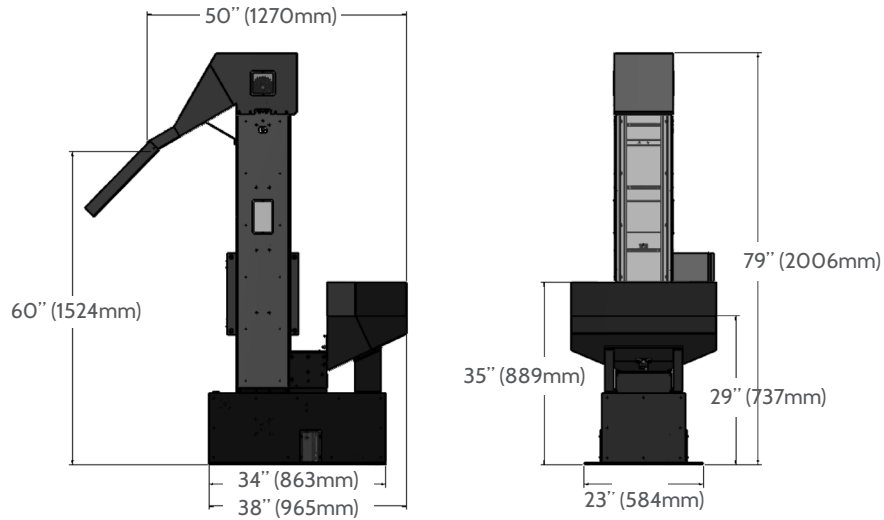


AUTOVATOR DATA SHEET

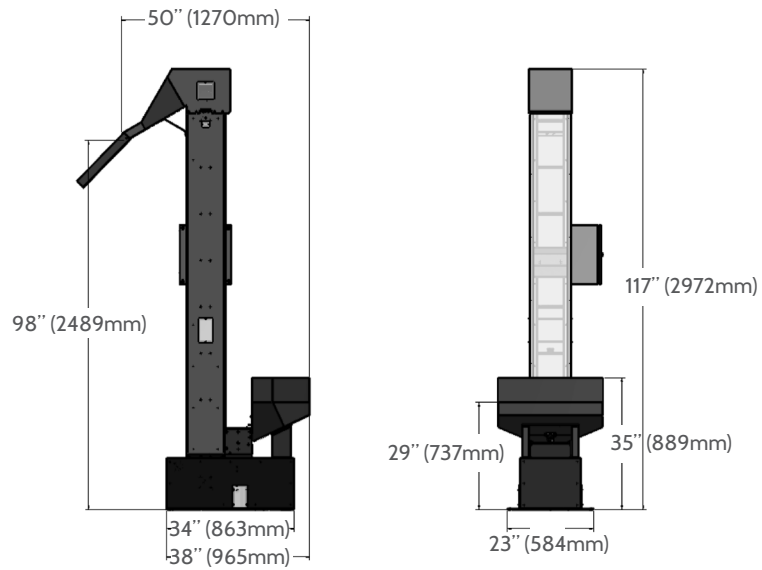
EST. 1978

ISO-9001

Dimensions - 5ft:



Dimensions - 8ft:



Dimensions - 10ft:

