

SURESHOT® 4000 DATA SHEET

EST. 1978

ISO-9001

The **Sureshot® 4000** dispensing valve accurately controls the application of most medium to high viscosity fluids. The **Sureshot® 4000** utilizes a hard anodized aluminum spool for high pressure dispensing at a maximum of 500 PSI. (A Teflon® spool designed for anaerobic gasket replacers is also available.) With an outstanding “pull back” stop response, this valve ensures minimal waste of material and reduces the environmental impact in the manufacturing process. Offered in multiple configurations, the **Sureshot® 4000** is available in either straight or 90° models and utilizes Hernon’s disposable dispensing tips. The compact size and light weight allows for optimal placement and system design options when compared to heavier and more bulky valve systems.

Standard Assembled Model Part #'s:

- 110-005 - Aluminum manifold, aluminum piston, straight port
- 110-067 - Aluminum manifold, aluminum piston, 90° port
- 110-006 - Aluminum manifold, Teflon® piston, straight
- 110-007 - Aluminum manifold, Teflon® piston, 90° port

Features:

- Compact weight and size
- Easy cleaning
- Low maintenance design
- Material “pull back” when stopped or between dispense cycles
- Fluid pressure up to 500psi

Specifications:

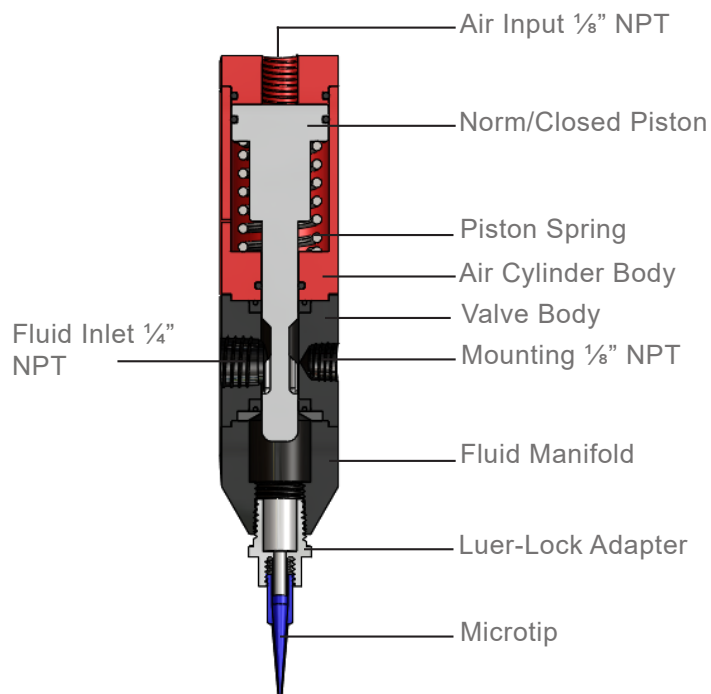
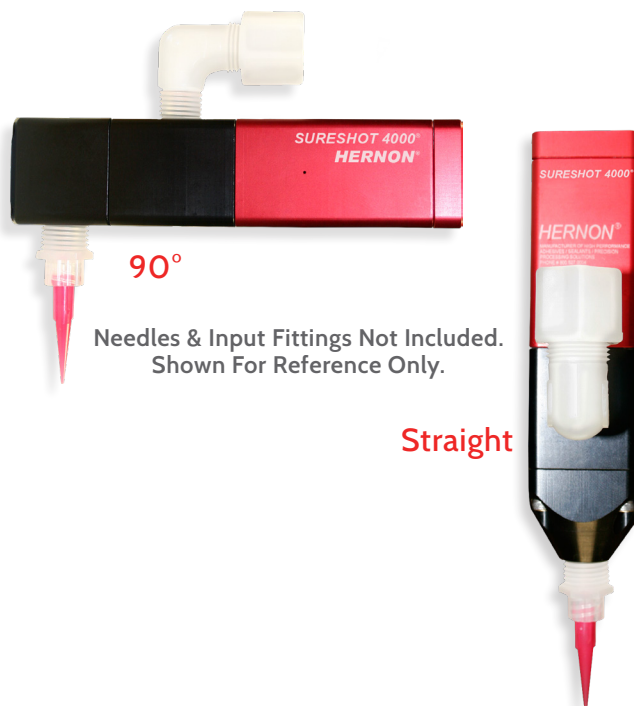
- Length: 4.875" (123.8 mm)
- Width & Depth: 1.187" (30.2mm)
- Weight: 272 grams (9.59 oz)

Dispense Tips:

Tip selection is critical to achieve optimum valve performance. SS4000 series valves are packaged with an ultra-dispensing tip kit for maximum fluid control. The kit includes smooth-flow tapered tips in sizes from 14 to 25 gauge, precision stainless steel tips in sizes from 14 to 30 gauge.

Warranty:

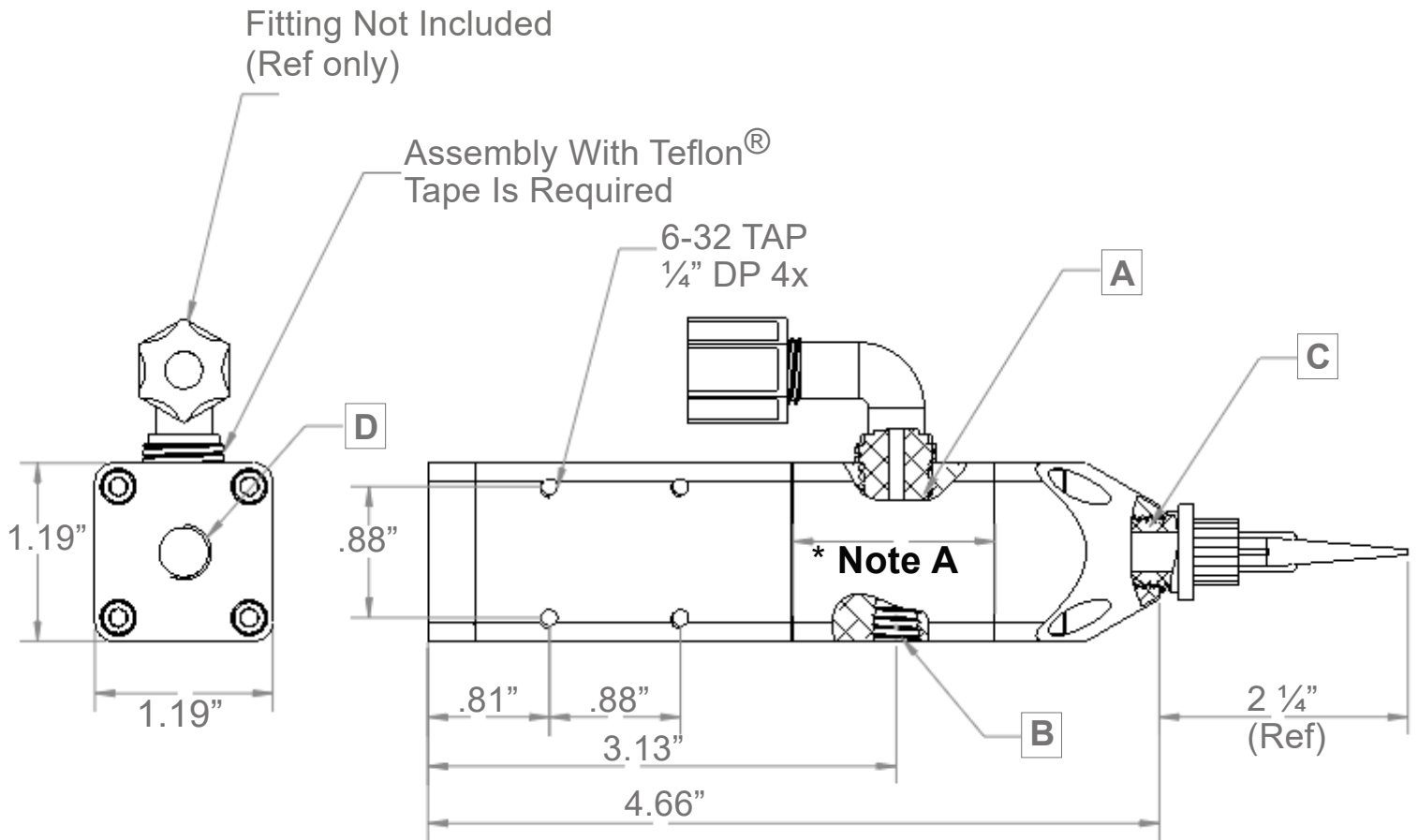
- Standard 1 year from purchase date



SURESHOT[®] 4000 DATA SHEET

EST. 1978

ISO-9001



* **Note A:** Manifold can be rotated in 90° increments in relation to the mounting holes

PORTS:

- A: 1/4" NPT Fluid/Adhesive Input 1000 PSI Max
- B: 1/8" NPT Mounting Only
- C: 1/4" NPT Needle Dispensing Output
- D: 1/8" NPT Air Input Valve Initiation 70-100 PSI