

ULTRACURE® 7 DATA SHEET

EST. 1978

ISO-9001

The **Ultracure® 7** is a high output UV LED curing lamp designed to quickly and completely cure UV adhesives and sealants. This curing lamp has built-in power regulation, over temperature protection and is liquid cooled to ensure consistent long term operation while outputting a maximum intensity UV light. The **Ultracure® 7** can be installed alone or in a series to produce a UV light bath for UV curing applications.

The **Ultracure® 7** is also water and dust proof to IP65 standards.

Product Part #: 107-028

Features:

- UV LED curing lamp
- Built-in power regulation and overheat protection
- Green / red system status indicator
- Liquid cooled
- Meets IP65 standards (water and dust proof)

Specifications:

- Dimensions: 2.1" x 1.25" x 1.5"
- 2.5/w cm² maximum output @365nm
- 24 vdc @ 700mA

Mounting:

- The Ultracure® 7 has three mounting options:
 - 4 x M4 x 0.7 on electrical connector end
 - 2 x M4 x 0.7 on both sides of the device

Warranty:

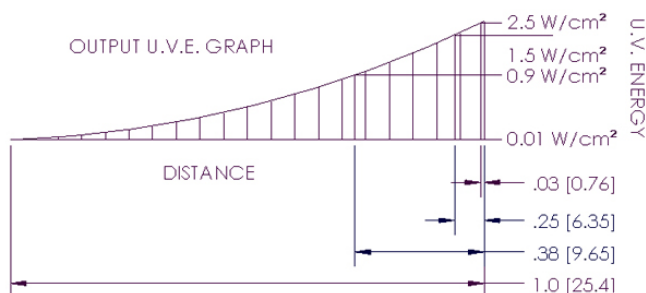
- Standard 1 year from purchase date

UV Curve / UV Output Curve:

The Ultracure® 6 has an optimal distance for curing properties. The diagram below shows UV intensity vs. distance curve:



ULTRA VIOLET ENERGY (U.V.E.) GRAPH



REF. ONLY - U.V. ENERGY

DISTANCE	ENERGY W/cm ²
.03in [.76mm]	2.5
.25in [6.35mm]	1.5
.38in [9.65mm]	0.9
1.0in [25.4mm]	0.01

ALL DIMENSIONS ARE IN inch [millimeter]

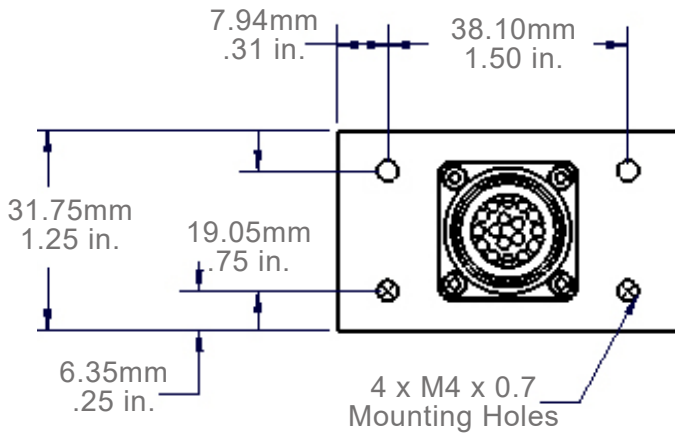
ENERGY IS INVERSELY PROPORTIONAL TO DISTANCE

ULTRACURE[®] 7 DATA SHEET

EST. 1978

ISO-9001

BACK VIEW



LEFT SIDE VIEW

