

ULTRACURE® 9 DATA SHEET

EST. 1978

ISO-9001

The **Ultracure® 9** is a high output UV LED curing lamp designed to quickly and completely cure UV adhesives and sealants. This curing light has built-in power regulation, over temperature protection and is air cooled to ensure consistent long term operation while outputting a maximum intensity UV light. The **Ultracure® 9** includes a focused lens that concentrates the ultraviolet light to provide an extended curing range of 3x the standard distance of an Ultracure® 6 while maintaining the light intensity needed to produce a curing reaction. The **Ultracure® 9** can be installed alone or in a series to produce a UV light bath for UV curing applications.

Product Part #: 107-034

Features:

- UV LED curing lamp
- Built-in power regulation and overheat protection
- Green / red system status indicator
- Air cooled

Specifications:

- Dimensions: 2" x 1.3" x 6.2"
- 2.5/w cm² maximum output @365nm
- 24 vdc @ 700mA

Mounting:

- The Ultracure® 9 has two mounting options:
 - 4 x M3 x 0.5 on electrical connector end
 - 2 x M2 x 0.4 on the bottom of the device

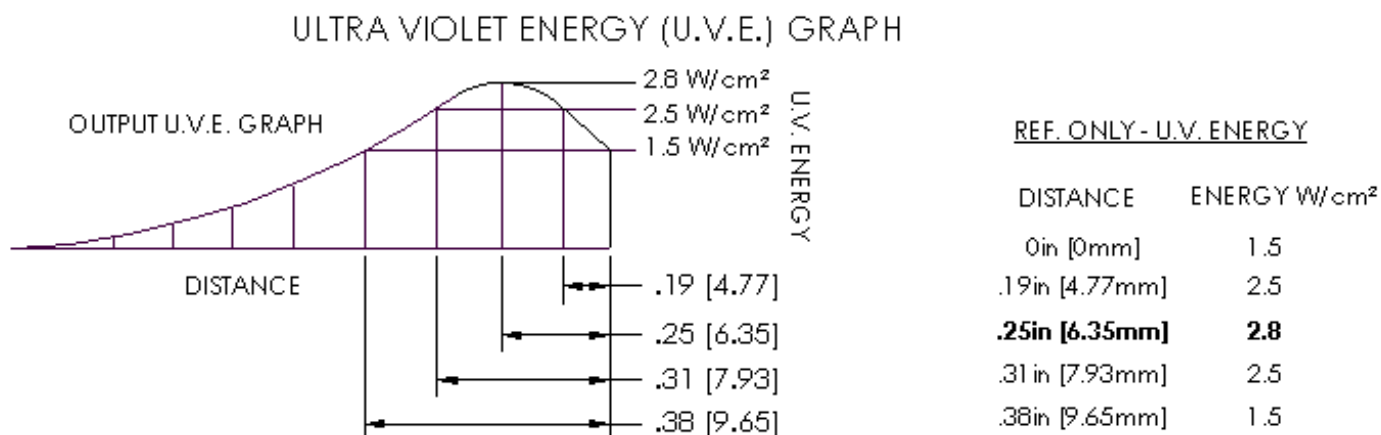
Warranty:

- Standard 1 year from purchase date



UV Curve / UV Output Curve:

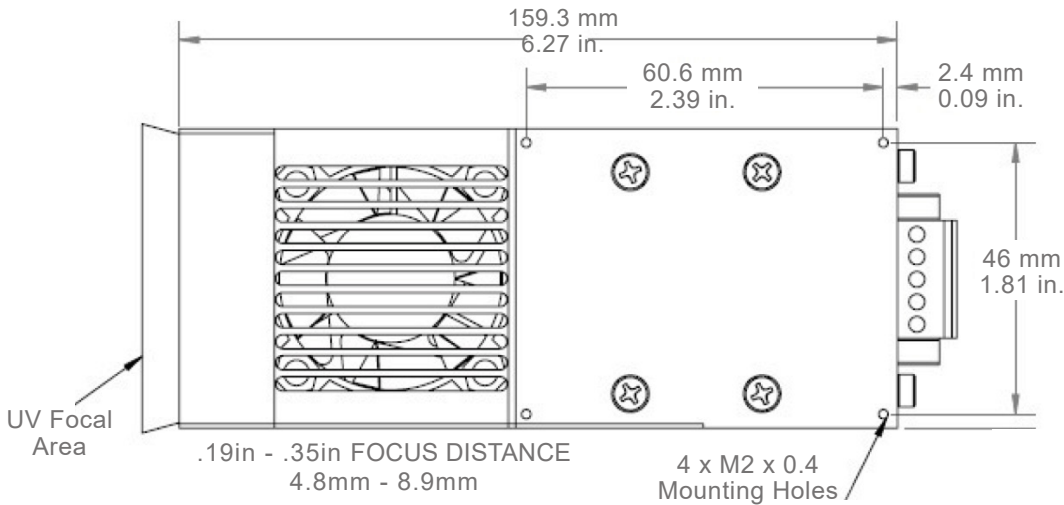
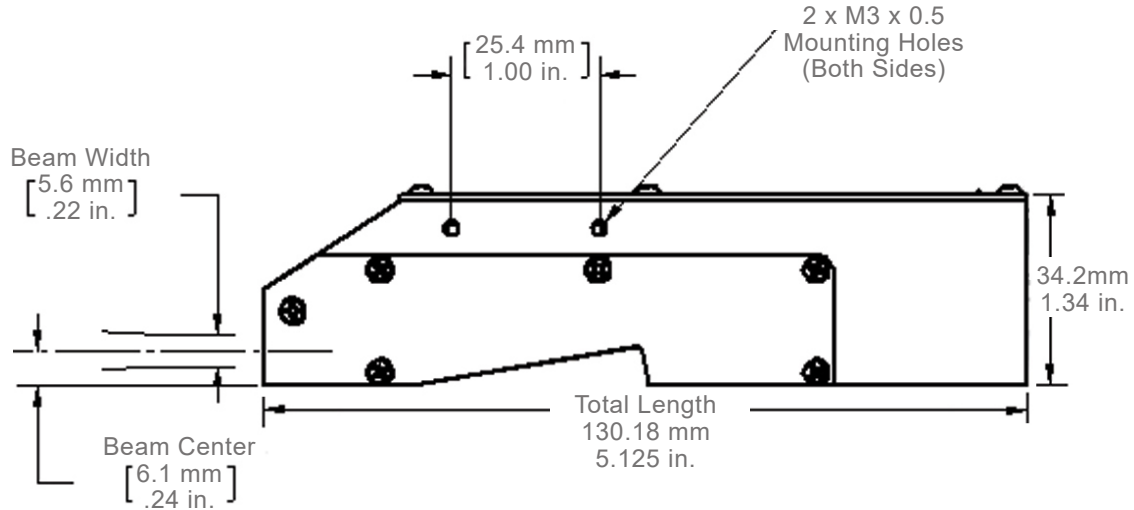
The Ultracure® 9 has an optimal distance for curing properties. The diagram below shows UV intensity vs. distance curve:



ULTRACURE[®] 9 DATA SHEET

EST. 1978

ISO-9001



Back Mounting Diagram:
(All dimensions are Inch [mm])

